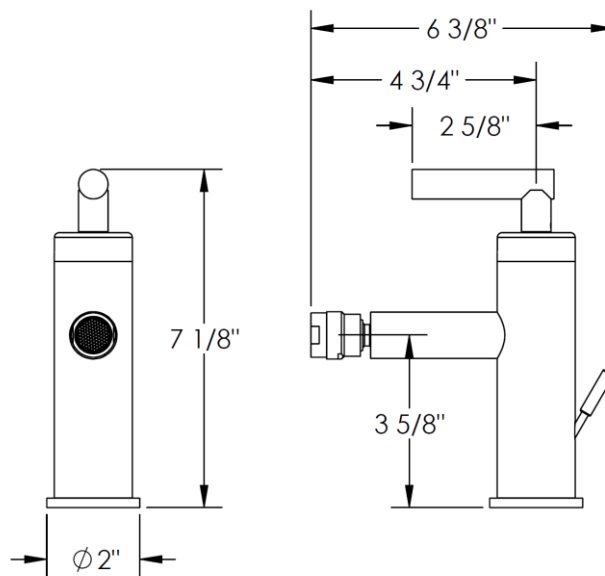


23-4.1-L8

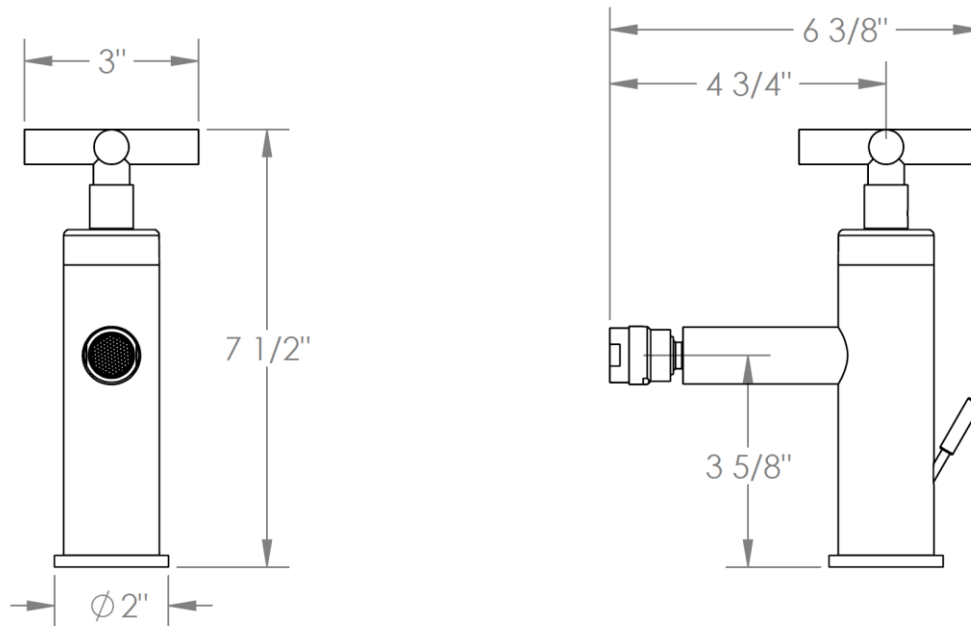
Deck Mounted Bidet Mixer



Meets the applicable requirements of ASME A112.18.1-2005/CSA B125.1-05, entitled "Plumbing Supply Fittings"

23-4.1-L9

Deck Mounted Bidet Mixer



Meets the applicable requirements of ASME A112.18.1-2005/CSA B125.1-05, entitled "Plumbing Supply Fittings"